

CSDC-CSUC

FITS $45\frac{1}{8}"$ X $16"$ SLEEVE

High Energy Efficiency

Long Service Life

Chromalox™ Space Command

SI & SI-DF Series Replacement



Applied
Comfort Products Inc.

- + optimized design for highest energy efficiency
- + commercial duty construction for reliability & durability
- + acoustic noise cancelling materials for comfort.

CSDC

SLIDE IN REPLACEMENT FOR:

Chromalox™ Space Command
DOWNFLOW SI-DF and SHPI-DF Series.

DUCTED to multiple rooms.

Controlled by 24v wall thermostat.

Two-stage heat on units 5.5 Kw and above
for optimal comfort and efficiency.



CSUC

SLIDE IN REPLACEMENT FOR:

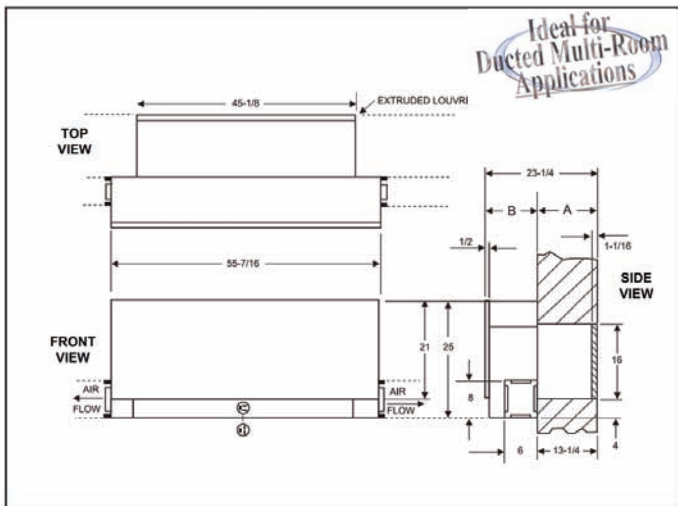
Chromalox™ Space Command
UPFLOW SI and SHPI Series.

Single-zone heat/cool --- NOT ducted.

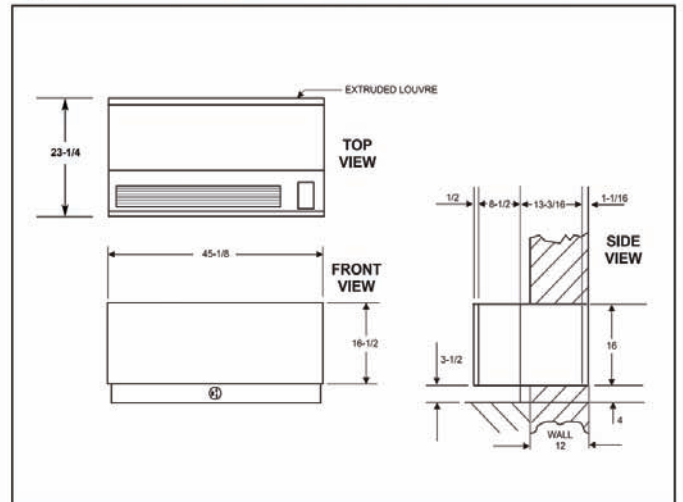
ON-chassis or wall thermostat controlled.



Typical Installation Details



Typical Installation Details



VERIFIED
FOR ENERGY
PERFORMANCE

HIGHEST EFFICIENCY

www.ptacs.com

HIGHEST RELIABILITY

CSDC - Chromalox™ DOWNFLOW SI-DF & SHPI-DF Replacement

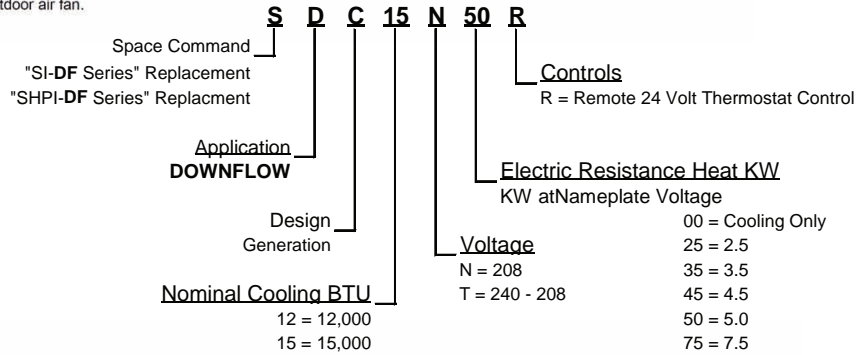
Capacity and Physical Data (common DOWNFLOW models shown)

Model	Voltage	Hz	Cooling Btuh ¹	EER	Cooling Amps ^c	Dehu. (Pts/hr)	Heating (Btu/hr)	Heater (KW)	Amps (Htg.)	Fuse (Amps)	Indoor SCFM ²	Net Wt. (lbs.)
SDC12T25R	240-208	60	12600	10.3	5.9/6.3	4.0	9000/6800	2.5/1.9	11.2/9.7	15	415/405	160
SDC12T35R	"	"	"	"	"	"	12400/9400	3.5/2.6	15.4/13.3	20	"	"
SDC12T50R	"	"	"	"	"	"	17500/13200	5.0/3.8	21.6/18.6	30	"	"
SDC12T75R	"	"	"	"	"	"	26000/19600	7.5/5.6	32.0/27.9	40	"	"
SDC12N45R	208	"	"	"	6.3	"	15700	4.5	22.5	30	405	"
SDC12N75R	"	"	"	"	"	"	26000	7.5	36.9	50	"	"
SDC15T35R	240-208	"	15100	9.9	7.6/7.8	5.2	12400/9400	3.5/2.6	15.4/13.3	20	415/405	"
SDC15T50R	"	"	"	"	"	"	17500/13200	5.0/3.8	21.6/18.6	30	"	"
SDC15T75R	"	"	"	"	"	"	26000/19600	7.5/5.6	32.0/27.9	40	"	"
SDC15N45R	208	"	"	"	"	"	15700	4.5	22.5	30	405	"
SDC15N75R	"	"	"	"	"	"	26000	7.5	36.9	50	"	"

1. Based on ASHRAE and ARI test conditions of 95F DB / 75F WB outside, 80F DB / 67F WB inside.

2. Cooling full load amp includes compressor, indoor air fan, and outdoor air fan.

3. Indoor and Vent SCFM are at high fan speed with dry coil.



CSUC - Chromalox™ UPFLOW SI & SHPI Replacement

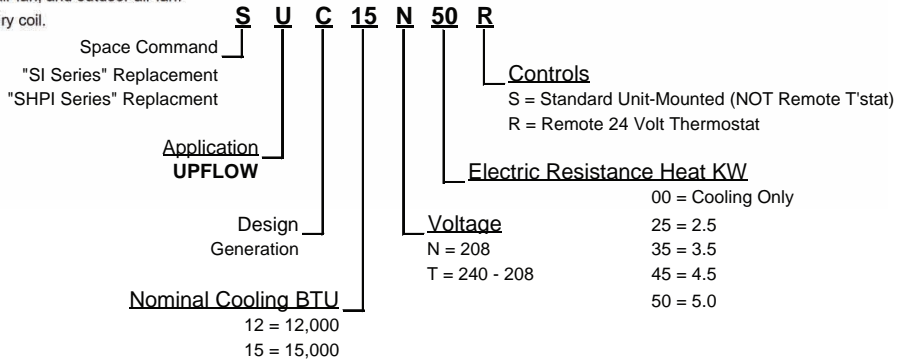
Capacity and Physical Data (common UPFLOW models shown)

Model	Voltage	Hz	Cooling Btuh ¹	EER	Cooling Amps ^c	Dehu. (Pts/hr)	Heating (Btu/hr)	Heater (KW)	Amps (Htg.)	Fuse (Amps)	Indoor SCFM ²	Net Wt. (lbs.)
SUC12T25S	240-208	60	12800	10.6	6.0/6.6	4.0	9000/6800	2.5/1.9	11.1/9.6	15	410/395	165
SUC12T35S	"	"	"	"	"	"	12400/9400	3.5/2.6	15.3/13.2	20	"	"
SUC12T50S	"	"	"	"	"	"	17500/13200	5.0/3.8	21.5/18.7	30	"	"
SUC12N45S	208	"	"	"	"	"	15700	4.5	22.4	30	"	"
SUC15T50S	240-208	"	15300	10.2	7.2/8.0	"	17500/13200	5.0/3.8	21.5/18.7	30	"	"
SUC15N45S	208	"	"	"	"	"	15700	4.5	22.4	30	"	"

1. Based on ASHRAE and ARI test conditions of 95F DB / 75F WB outside, 80F DB / 67F WB inside.

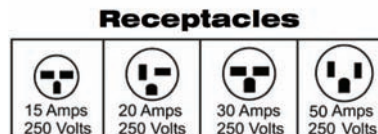
2. Cooling full load amp includes compressor, indoor air fan, and outdoor air fan.

3. Indoor and Vent SCFM are at high fan speed with dry coil.



Applied
Comfort Products Inc.
HEATING AND AIR CONDITIONING

1210 Balmoral Road
Cambridge, Ontario, Canada N1T 1A5



Specifications Subject to Change Without Notice

All brands and product names are trademarks or registered trademarks of their respective owners



CSDC - CSUC